

## V Series - 7 GPM

A.Y. McDonald offers a full line of stainless steel submersible pumps built for years of trouble free operation, with high-efficiency impellers and diffusers. These submersibles offer peak capacity performance in 5, 7, 10, 15, 20, and 25 gallons per minute (GPM). Other features include stainless steel discharge head with a built-in check valve, and stainless steel shaft and coupling.

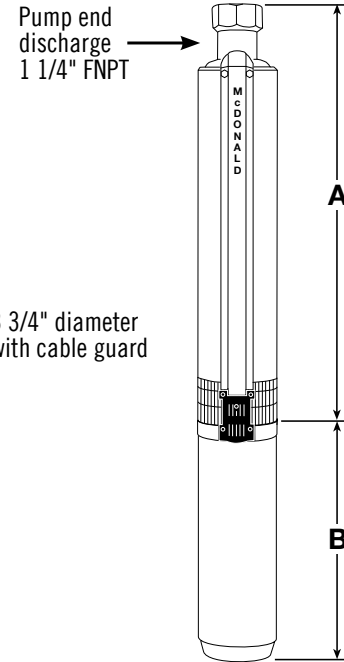
All V Series Stainless Steel Pumps come with a 1 1/4" discharge and sizes range from 1/3 to 2 horse power (HP). Two wire models up to 1 1/2 and three wire models up to 2 horse power (HP).

### Two Wire Single Phase

Model No.	HP	Stages	Volt	A	B	WT.	Price
23030V2A*	1/3	6	115	11.1"	9.53"	24	\$ 1,010.00
23030V2*	1/3	6	230	11.1"	9.53"	25	\$ 1,010.00
23050V2A	1/2	9	115	13.48"	9.53"	26	\$ 1,010.00
23050V2	1/2	9	230	13.48"	9.53"	26	\$ 1,010.00
23075V2	3/4	12	230	15.92"	10.66"	30	\$ 1,401.00
23100V2	1	16	230	19.11"	11.75"	34	\$ 1,604.00
23150V2	1 1/2	21	230	23.58"	15.12"	46	\$ 2,024.00

### Three Wire\*\* Single Phase

Model No.	HP	Stages	Volt	A	B	WT.	Price
23030V3A*	1/3	6	115	11.1"	9.53"	25	\$ 1,081.00
23030V3*	1/3	6	230	11.1"	9.53"	25	\$ 1,081.00
23050V3A	1/2	9	115	13.48"	9.53"	26	\$ 1,081.00
23050V3	1/2	9	230	13.48"	9.53"	26	\$ 1,081.00
23075V3	3/4	12	230	15.92"	10.66"	30	\$ 1,413.00
23100V3	1	16	230	19.11"	11.75"	35	\$ 1,596.00
23150V3	1 1/2	21	230	23.58"	13.62"	41	\$ 2,015.00
23200V3	2	26	230	28.34"	15.12"	49	\$ 2,888.00



### 4" Stainless Steel Pump Ends

Model No.	HP	WT.	Price
23030V	1/3	9	\$ 395.00
23050V	1/2	10	\$ 395.00
23075V	3/4	13	\$ 628.00
23100V	1	11	\$ 778.00
23150V	1 1/2	16	\$ 1,096.00
23200V	2	18	\$ 1,448.00

\* All one-third horsepower pumps are furnished with one-half horsepower motors (and control boxes where applicable).

\*\* All three wire pumps are available in three phase by selecting pump end and appropriate motor and starter kit (see pages 128-130).

### Output - in Gallons Per Minute (Depth to Water)

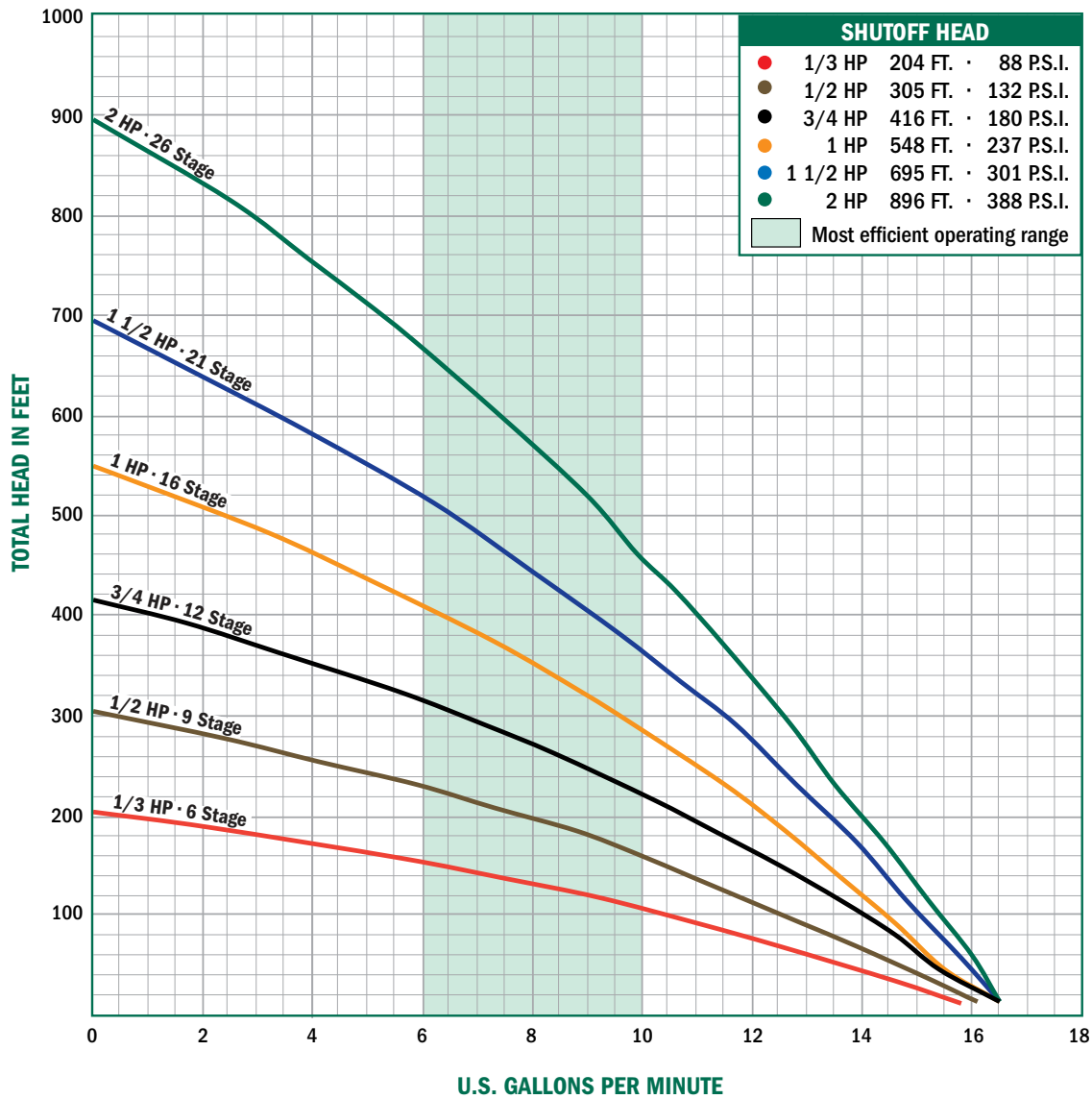
1/3 HP	PSI	25'	50'	75'	100'	125'	150'	175'
	0	15.1	13.7	12.2	10.5	8.6	6.4	3.8
	30	10.9	9.0	6.9	4.4	1.3		
	40	9.2	7.1	4.6	1.6			
	50	7.2	4.8	1.9				

1/2 HP	PSI	25'	50'	75'	100'	125'	150'	175'	200'	225'	250'	275'
	0	15.6	14.6	13.6	12.6	11.5	10.4	9.2	7.8	6.3	4.5	2.5
	30	12.8	11.8	10.7	9.5	8.2	6.7	5.0	3.0			
	40	11.9	10.8	9.6	8.3	6.8	5.1	3.1				
	50	10.9	9.7	8.4	6.9	5.2	3.3					
60	9.8	8.5	7.0	5.4	3.4	1.3						

3/4 HP	PSI	25'	50'	75'	100'	125'	150'	175'	200'	225'	250'	275'	300'	325'	350'	375'
	0	16.1	15.5	14.8	14.0	13.3	12.5	11.6	10.8	9.9	8.9	7.8	6.7	5.5	4.2	2.8
	30	14.2	13.4	12.7	11.8	11.0	10.1	9.1	8.1	7.0	5.8	4.5	3.1	1.5		
	40	13.5	12.7	11.9	11.0	10.1	9.2	8.2	7.1	5.9	4.6	3.2	1.7			
	50	12.8	12.0	11.1	10.2	9.3	8.2	7.2	6.0	4.7	3.3	1.8				
60	12.0	11.2	10.3	9.3	8.3	7.2	6.1	4.8	3.4	1.9						

FRICION LOSSES IN RISER PIPE HAVE NOT BEEN CALCULATED

# V Series - 7 GPM



Submersible Pumps

1 HP	PSI	25'	50'	75'	100'	125'	150'	175'	200'	225'	250'	275'	300'	325'	350'	375'	400'	425'	450'	475'
	0	16.1	15.5	15.0	14.4	13.9	13.3	12.8	12.2	11.6	11.0	10.3	9.6	8.9	8.1	7.2	6.3	5.4	4.5	3.5
30	14.5	14.0	13.5	12.9	12.3	11.8	11.1	10.5	9.8	9.1	8.3	7.4	6.6	5.6	4.7	3.7	2.7			
40	14.0	13.5	12.9	12.4	11.8	11.2	10.5	9.9	9.1	8.3	7.5	6.6	5.7	4.7	3.8	2.8				
50	13.5	13.0	12.4	11.8	11.2	10.6	9.9	9.2	8.4	7.6	6.7	5.8	4.8	3.8	2.8					
60	13.0	12.5	11.9	11.3	10.6	10.0	9.2	8.5	7.6	6.8	5.8	4.9	3.9	2.9	1.9					

1 1/2 HP	PSI	50'	100'	150'	200'	250'	300'	350'	400'	450'	500'	550'	600'	650'
	0	15.9	15.1	14.3	13.4	12.4	11.4	10.4	9.2	7.9	6.5	5.0	3.4	1.6
30	14.8	13.9	13.0	12.1	11.0	9.9	8.7	7.4	5.9	4.4	2.7			
40	14.4	13.5	12.6	11.6	10.5	9.4	8.1	6.7	5.2	3.6	1.9			
50	14.0	13.1	12.1	11.1	10.0	8.8	7.5	6.0	4.5	2.8				
60	13.6	12.7	11.7	10.6	9.5	8.2	6.8	5.3	3.7	2.0				

2 HP	PSI	50'	100'	150'	200'	250'	300'	350'	400'	450'	500'	550'	600'	650'	700'	750'	800'	850'
	0	16.1	15.4	14.7	14.0	13.3	12.6	11.8	11.0	10.2	9.3	8.4	7.4	6.4	5.3	4.1	2.9	1.5
30	15.1	14.5	13.8	13.0	12.3	11.5	10.7	9.8	8.9	8.0	7.0	6.0	4.9	3.7	2.3			
40	14.8	14.1	13.4	12.7	11.9	11.1	10.3	9.4	8.5	7.6	6.5	5.5	4.3	3.1	1.7			
50	14.5	13.8	13.1	12.3	11.5	10.7	9.9	9.0	8.1	7.1	6.1	4.9	3.8	2.4				
60	14.2	13.5	12.7	12.0	11.2	10.3	9.5	8.6	7.6	6.6	5.6	4.4	3.2	1.8				

FRICITION LOSSES IN RISER PIPE HAVE NOT BEEN CALCULATED